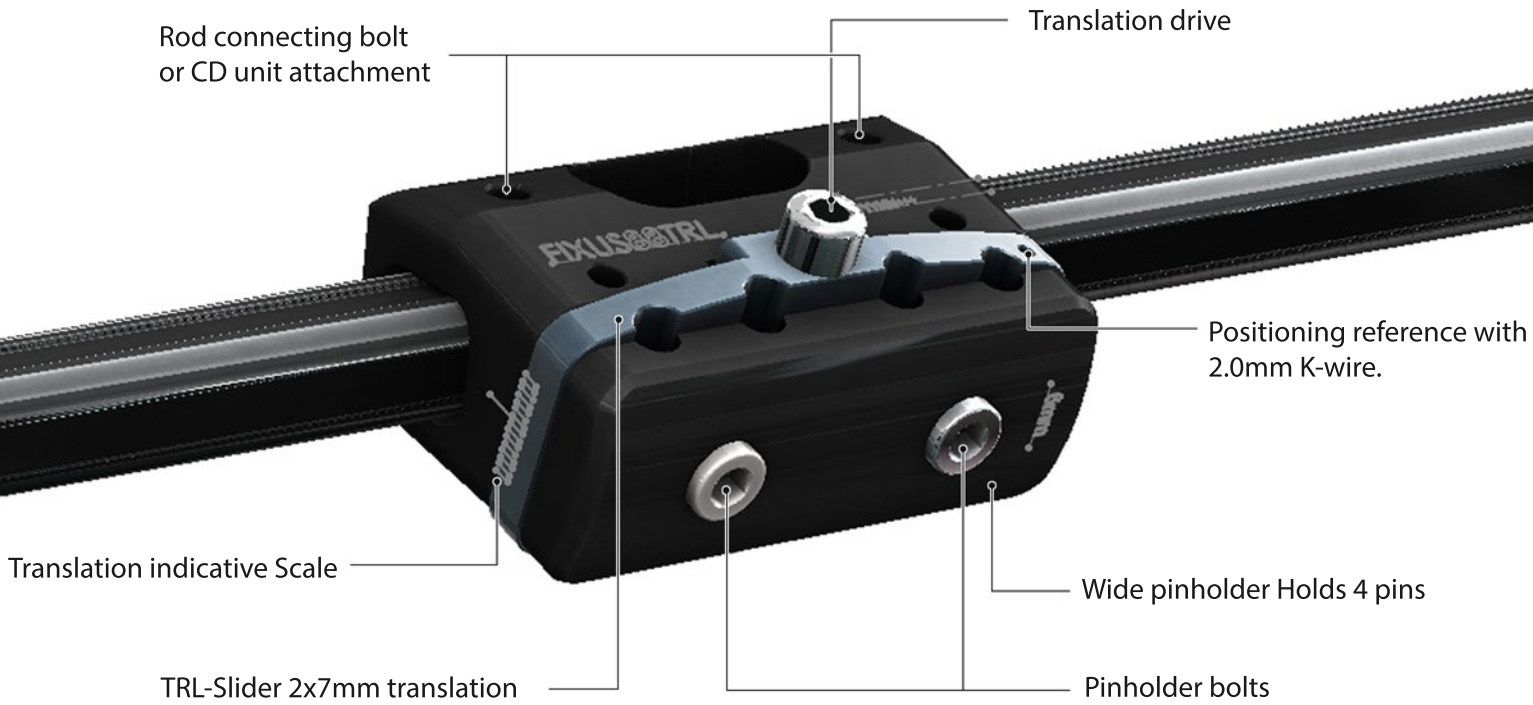


TRL

FIXUS 88 RECONSTRUCTION

The FIXUS88 TRL is a progressive translation corrector in one plane.
 The TRL has been developed based on feedback from multiple surgeons in the field.



The FIXUS88 TRL features a total Translation of 14mm(2x 7mm).



UP: Turn Counter Clockwise
 DOWN: Turn Clockwise

+7 mm to -7mm

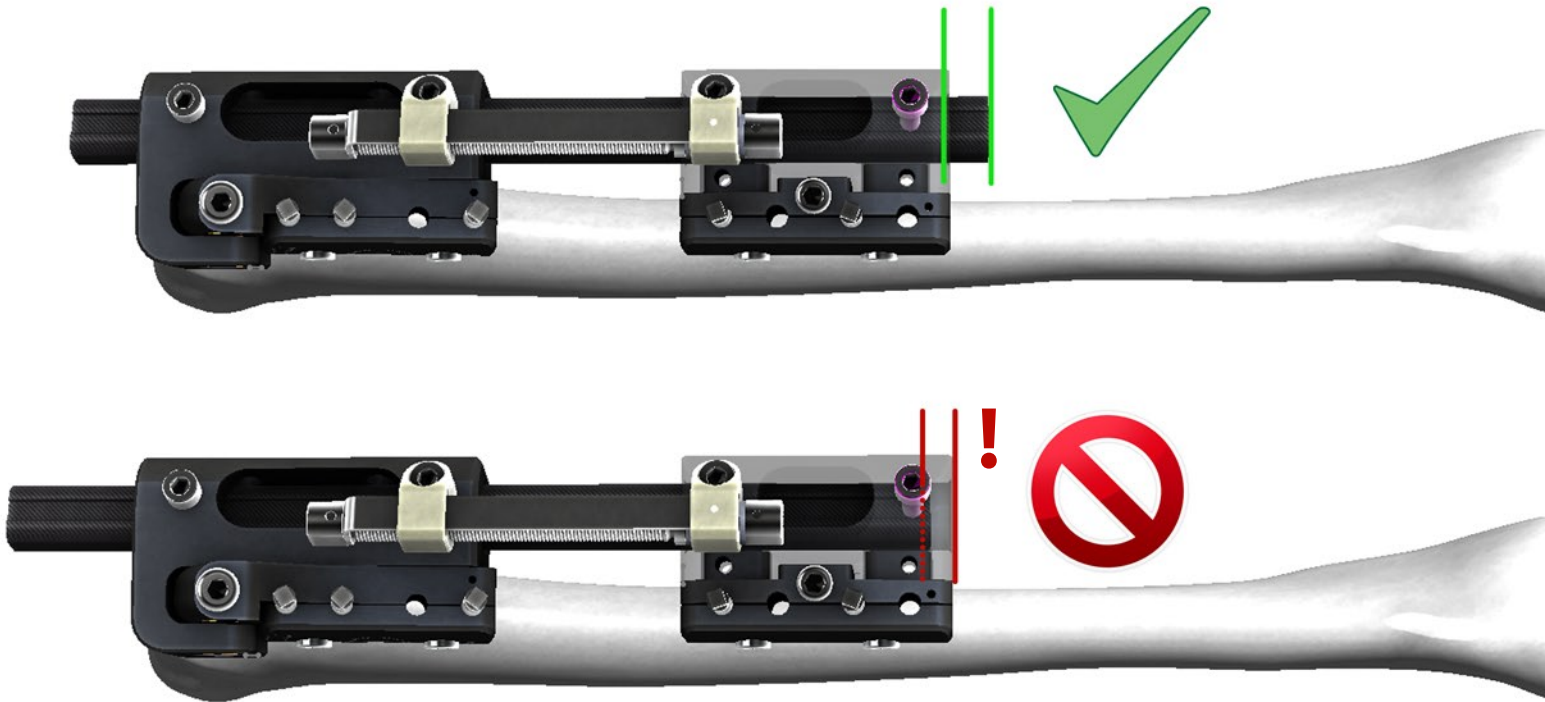
Placement of the FIXUS88 TRL translation corrector

Slide the FIXUS88 TRL as any other Fixus base onto the rod.

Make sure the Carbon Rod sticks through the FIXUS88 TRL at all times.

Plan accordingly for lengthening or transport procedures.

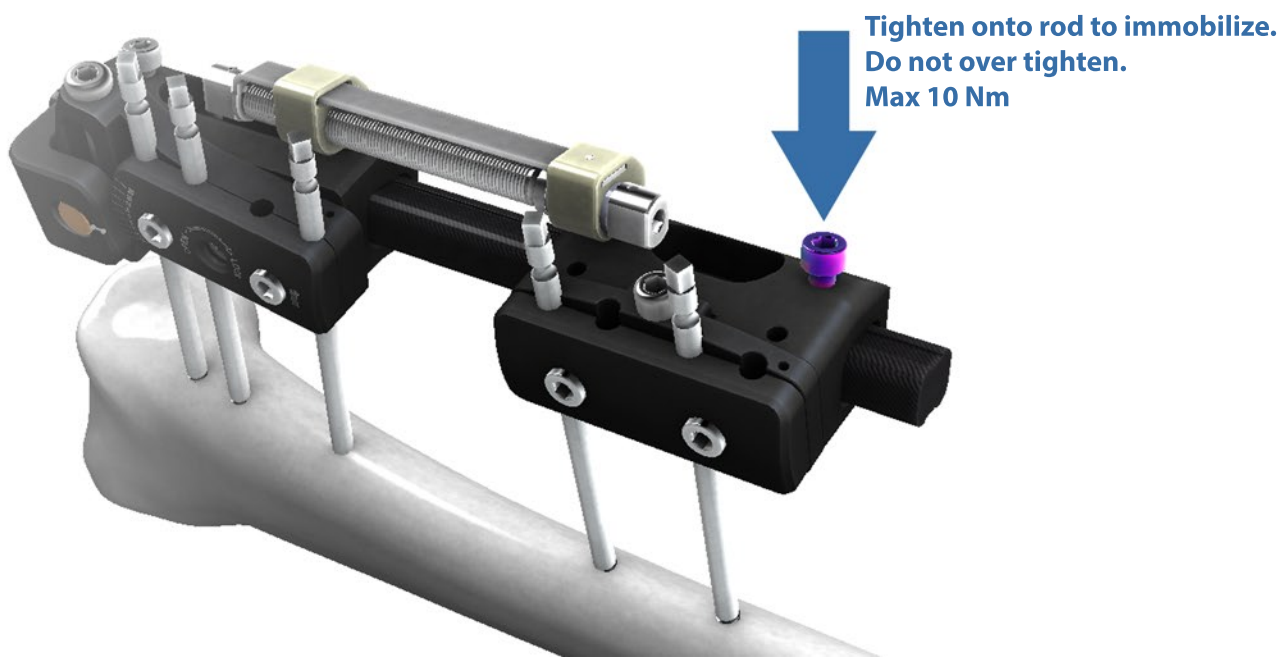
Fixus offers a wide range of Carbon Rods lengths.



CD UNIT use with the FIXUS88 TRL angular corrector

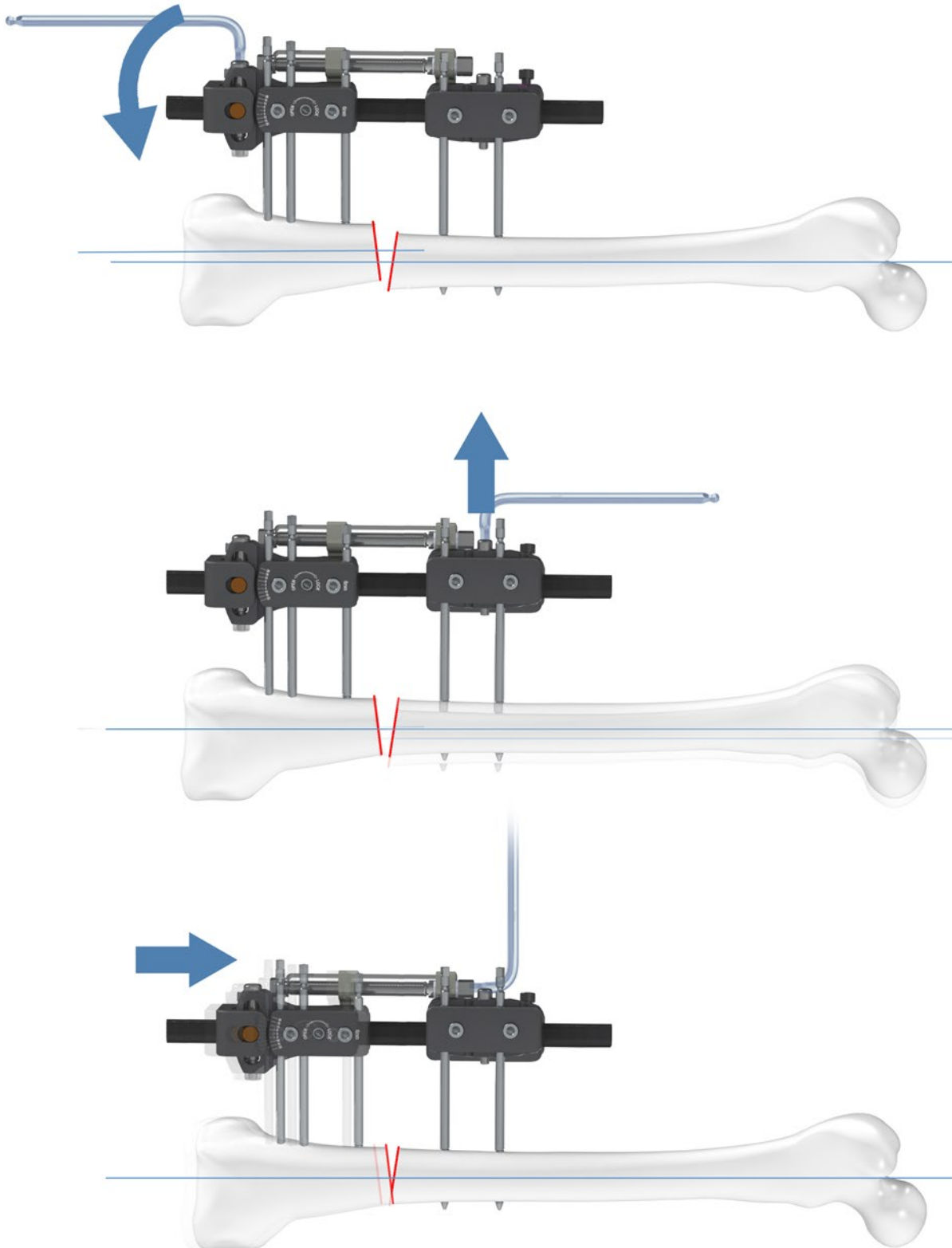
Follow the regular CD unit sequence as stated in the FIXUS88 IFU.

Make sure at least one bolt remains functional to immobilize the FIXUS88 TRL onto the Rod after each use of the CD unit and whilst Performing the translation correction sequence.



Example Placement of the FIXUS88 *TRL* translation Corrector

Example placement, Monoplanar Femur correction



The FIXUS88 *TRL* can be used in combination with other FIXUS88 products: Combine for V-pin and/or inclination configuration: with a unibase and (multiple) uniclamp(s).