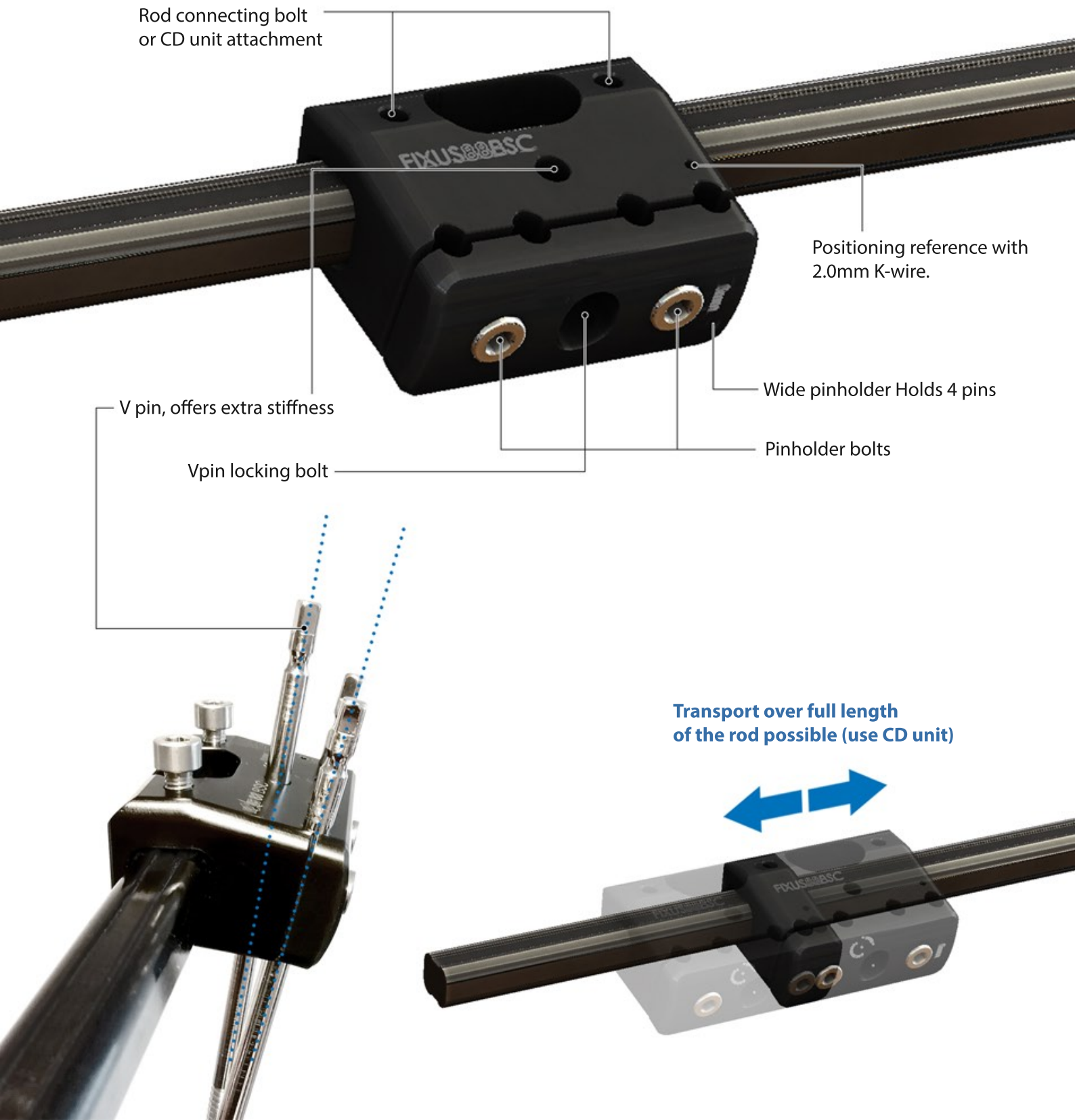


BSC

FIXUS 88 RECONSTRUCTION

The FIXUS88 BSC is our new standard, monoplanar clamp with a additional V pin placement option.

This extra pin option in an extra plane (5 degrees) adds extra stiffness to the construct. The BSC has been developed based on feedback from multiple surgeons in the field.



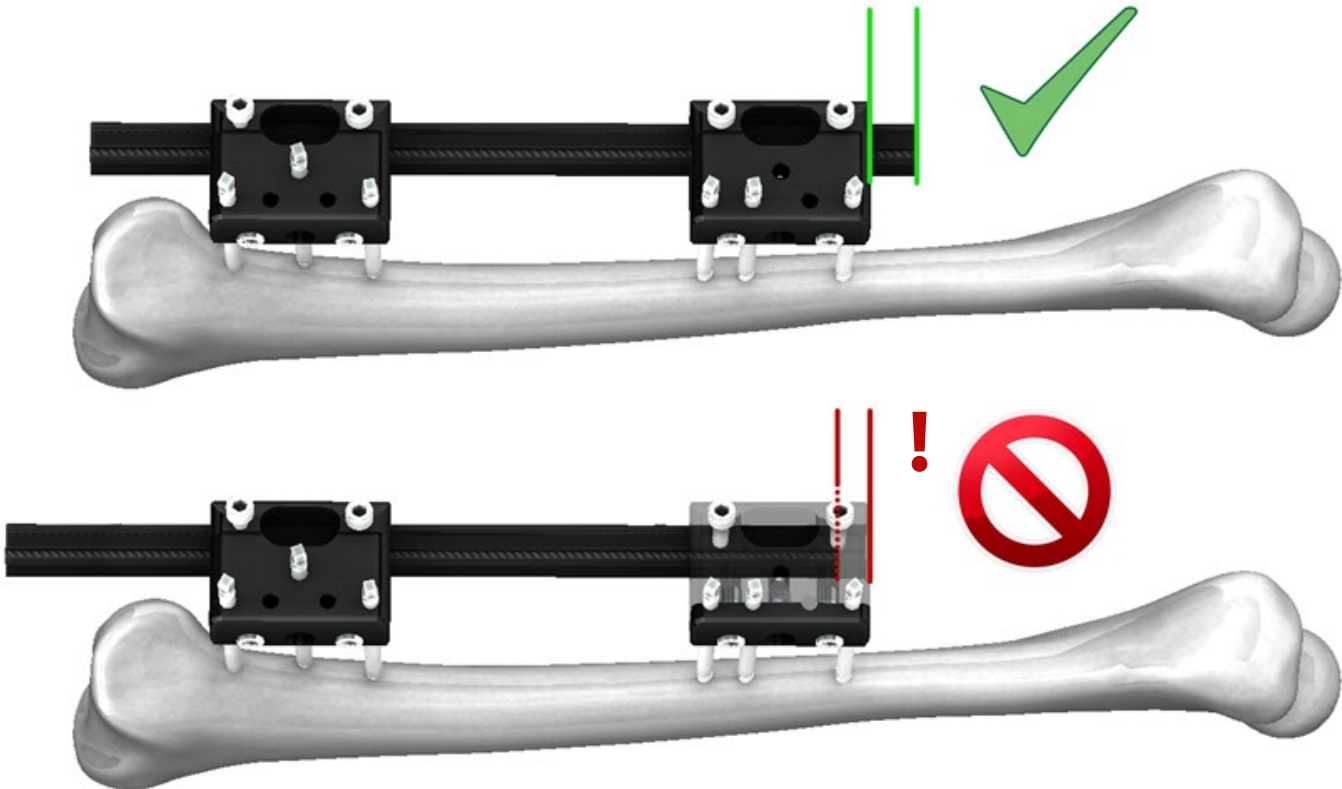
Placement of the FIXUS88 BSC translation corrector

Slide the FIXUS88 BSC as any other Fixus base onto the rod.

Make sure the Carbon Rod sticks through the FIXUS88 BSC at all times.

Plan accordingly for lengthening or transport procedures.

Fixus offers a wide range of Carbon Rods lengths.

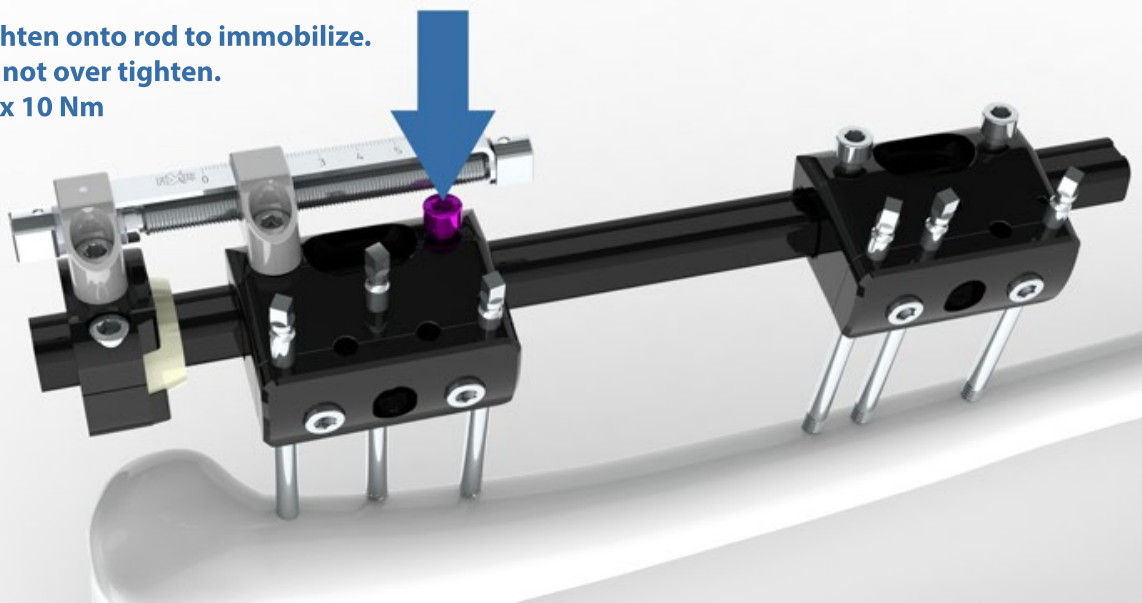


CD UNIT use with the FIXUS88 BSC

Follow the regular CD unit sequence as stated in the FIXUS88 IFU.

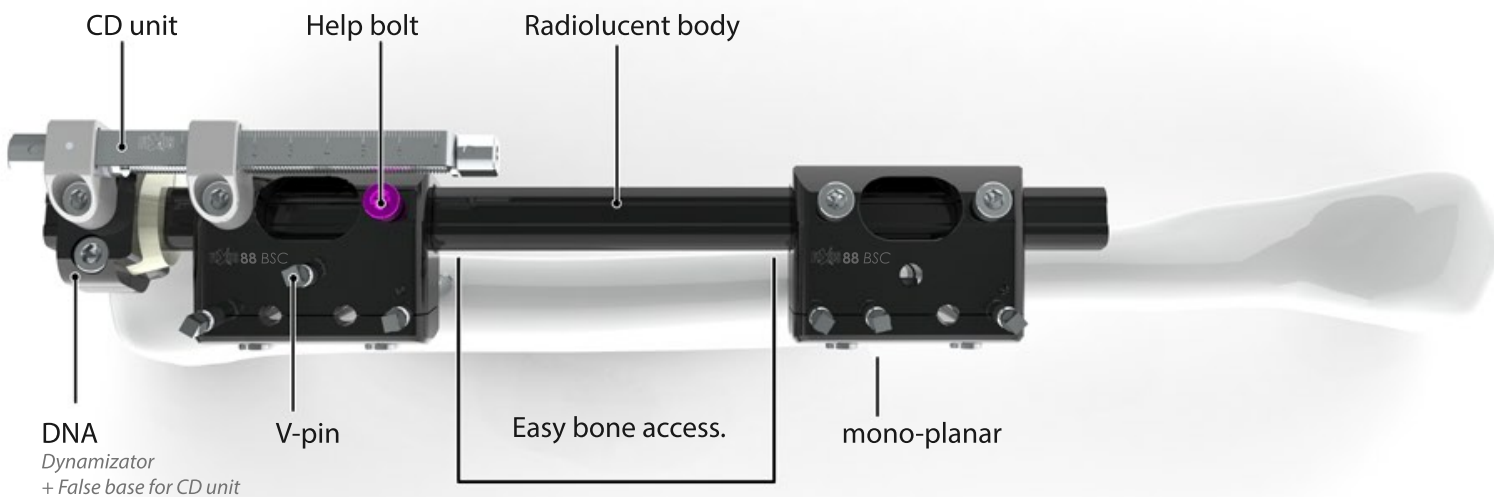
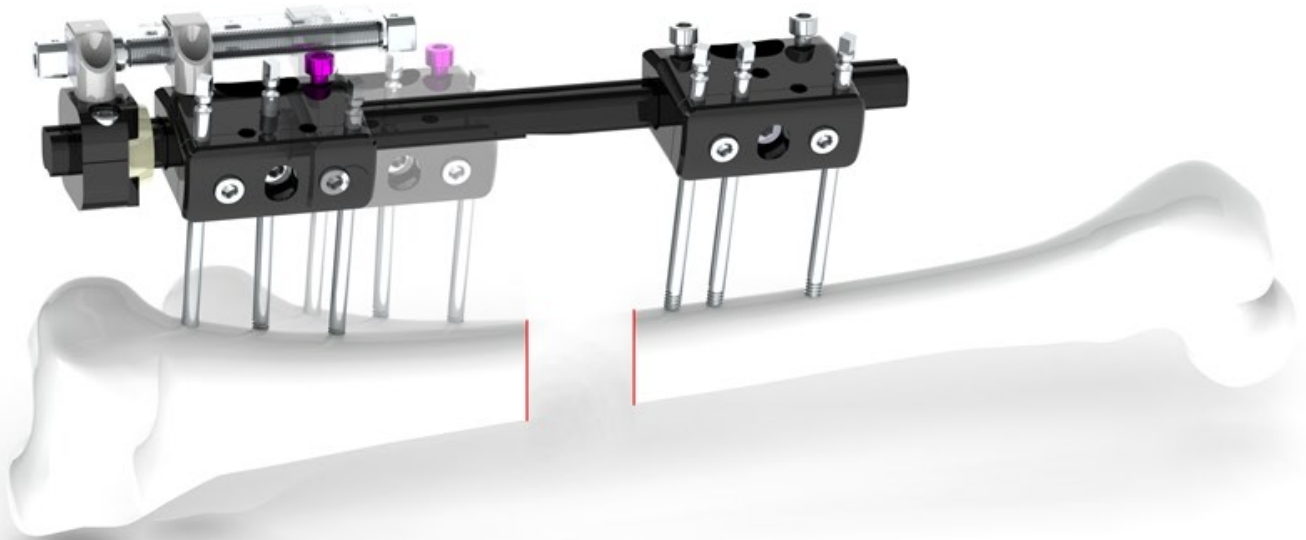
Make sure at least one bolt remains functional to immobilize the FIXUS88 BSC onto the Rod after each use of the CD unit.

**Tighten onto rod to immobilize.
Do not over tighten.
Max 10 Nm**



Example Placement of the FIXUS88 BSC

Example placement, Monoplanar Femur lengthening



The FIXUS88 BSC can be used in combination with other FIXUS88 products: Combine for V-pin and/or inclination configuration: with a unibase and (multiple) uniclamp(s), with the ARC, TRL and DNA.